

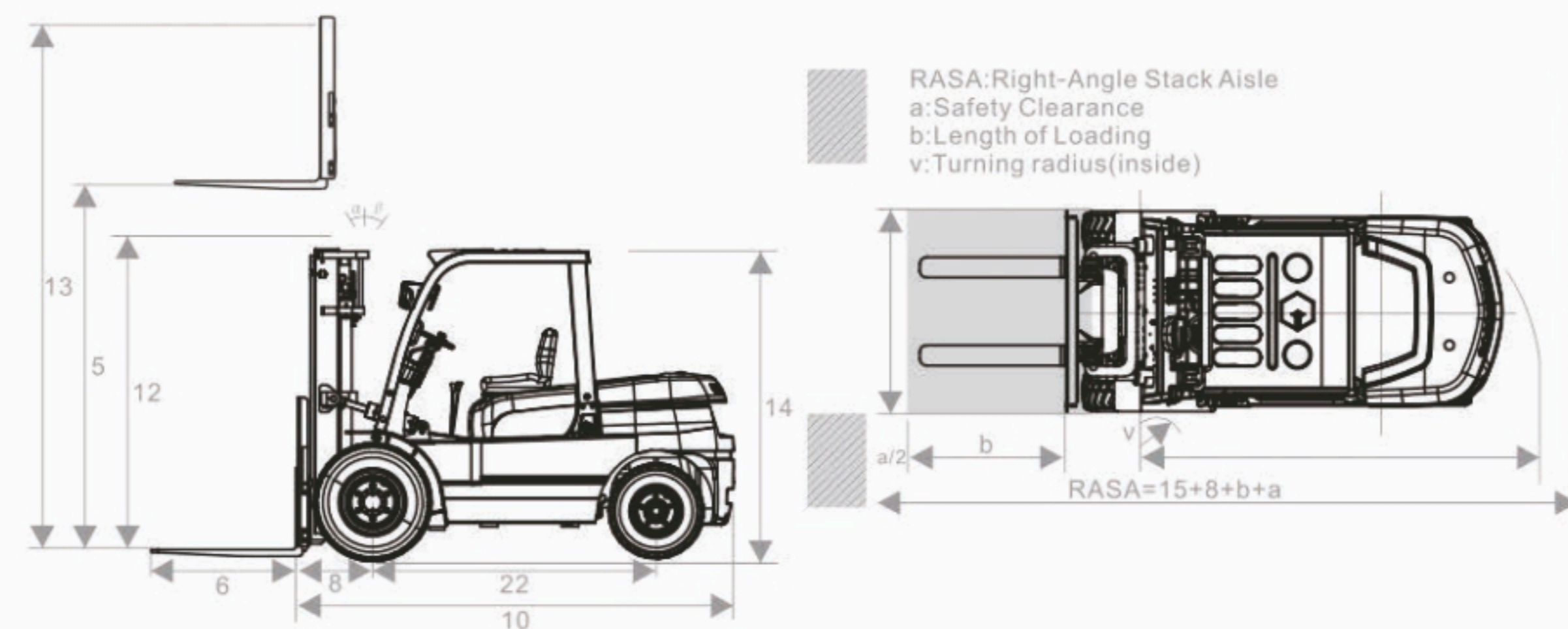
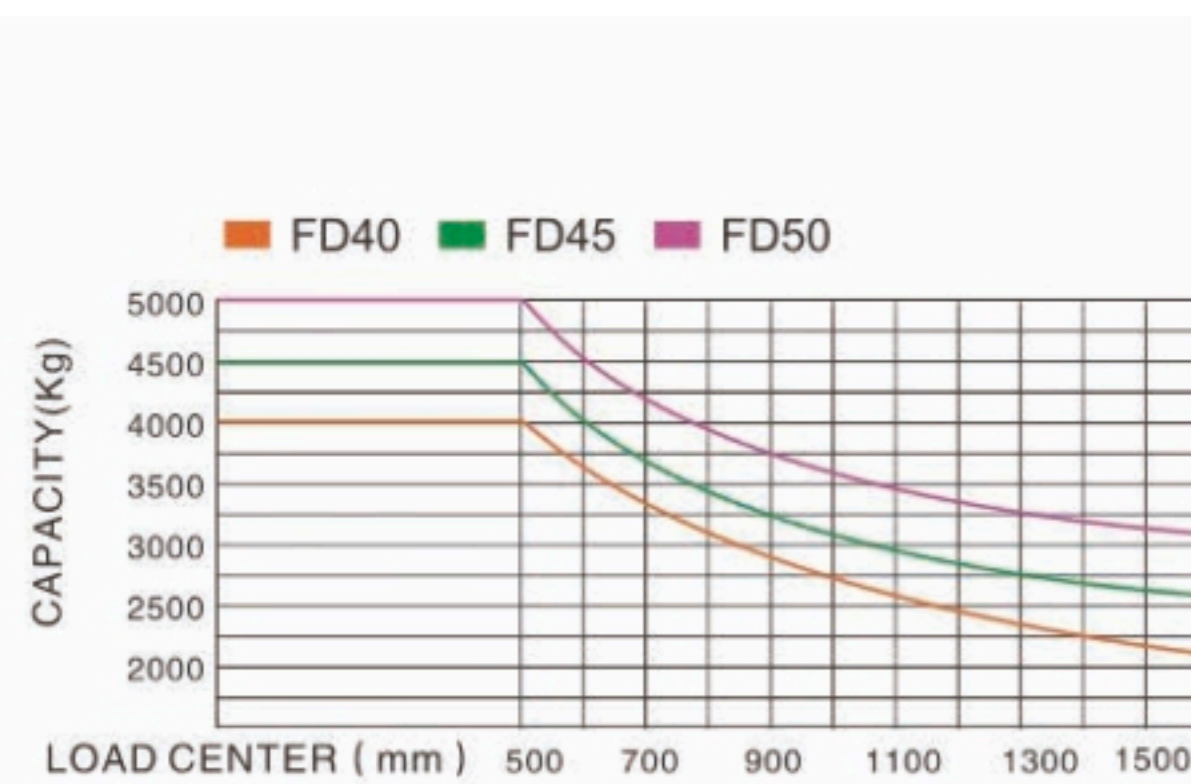
DIESEL FORKLIFT

FD40  
FD45  
FD50



Engine Choice

Brand	PERKINS	WEIFANG	LUOTUO
Model	1104D-44	R4105G32	LR4B3-G89X6-U2
Rated output	56/2200	59/2400	57/2200
Rated torque	260/1900	270/1600-1800	284-297/1400-1600
No. of cylinder	4	4	4
Bore x Stroke	105X127	105X125	108X125
Displacement	4400	4330	45



General	1	Model		FD40	FD45	FD50	
	2	Power type		Diesel	Diesel	Diesel	
3	Rated Capacity	kg	4000	4500	5000		
4	Load Centre	mm	500	500	600		
Characteristic & Dimension	5	Lifting Height	mm	3000	3000	3000	
	6	Fork Size	L×W×T	1070 x 150 x 50	1070×150×50	1220×150×60	
	7	Mast Tilt Angle	F/R	6°/12°	6°/12°	6°/12°	
	8	Front Overhang (Wheel center to fork face)	mm	570	570	590	
	9	Ground Clearance (Bottom of mast)	mm	160	160	200	
	10	Overall Dimension	Length to face of fork (Without fork)	mm	3220	3220	3450
	11		Overall Width	mm	1480	1480	2010
	12		Mast Lowered Height	mm	2270	2270	2500
13	Mast Extended Height (With backrest)		mm	4255	4255	4415	
14	Overhead Guard Height	mm	2320	2320	2470		
Performance	15	Turning Radius (outside)	mm	2900	2900	3250	
	16	Speed	Travel (No load)	km/h	25	25	30
	17		Lifting (Full load)	mm/s	460	450	500
	18	Max.Gradeability (No load/Full load)	%	20	20	20	
Chassis	19	Tire	Front	mm	300-15-18PR	300-15-18PR	8.25-15-14PR
	20		Rear	mm	7.0-12-12PR	7.0-12-12PR	8.25-15-14PR
	21	Wheelbase	mm	2100	2100	2250	
	22	Service weight	kg	6450	6680	8150	
Power & Transmission	23	Battery	Voltage/Capacity	V/Ah	(12V/80Ah)*2	(12V/80Ah)*2	(12V/80Ah) x 2
	24	Engine	Model		4JG2PE	1104D-44	CY6102BG
	25		Manufacture		ISUZU	Perkins	CHAOCHAI
	26		Rated output/r.p.m.	kw	44.9/2450	56/2200	81/2500
	27		Rated torque/r.p.m.	N·m	186.3/1600-1800	260/1900	353/1650
	28		No.of Cylinder		4	4	6
	29		Bore×Stroke	mm	95.4 x 107	105 x 127	102×118
	30		Displacement	cc	3059	4400	5785
	31		Fuel Tank Capacity	L	105	105	140
	32	Transmission	Type		Hydraulic	Hydraulic	Hydraulic
33	Stage (FWD/RVS)			1/1	2/1	2/2	

4.0-5.0 TON DIESEL FORKLIFT MAST

Type	Model	Lift Height (mm)	Load Capacity (kg)			Overall Height (mm)			Free Lift (mm)		Tilt Angle F/R(deg)
			4.0t	4.5t	5.0t	4.0-5.0t			4.0-4.5t		
						Mast Lowered	With Backrest	Mast Extended	With Backrest	Without Backrest	
Wide view 2-stage mast	M200	2000	4000	4500	5000	2020	3665	3350	-	-	6/12
	M250	2500	4000	4500	5000	2120	3865	3550	-	-	6/12
	M300	3000	4000	4500	5000	2270	4165	3850	-	-	6/12
	M330	3300	4000	4500	5000	2420	4465	4150	-	-	6/12
	M350	3500	4000	4500	5000	2520	4665	4350	-	-	6/12
	M370	3700	4000	4500	4800*5000	2620	4865	4550	-	-	6/12
	M400	4000	4000	4500	4600*5000	2820	5165	4850	-	-	6/12
	M450	4500	3600*3800	4000*4500	4300*4800	3070	5665	5350	-	-	6/6
	M500	5000	3100*2500	3600*4300	3900*4500	3320	6165	5850	-	-	6/6
	M550	5500	2850*3150	3000*3800	3400*4100	3620	6665	6350	-	-	3/6
M600	6000	2300*2900	2500*3300	2700*3500	3870	7165	6850	-	-	3/6	
Full free 2-stage mast	Z200	2000	4000	4500	5000	2020	3665	3350	745	1195	6/12
	Z250	2500	4000	4500	5000	2120	3865	3550	845	1295	6/12
	Z300	3000	4000	4500	5000	2270	4165	3850	995	1445	6/12
	Z330	3300	4000	4500	5000	2420	4465	4150	1145	1595	6/12
	Z350	3500	4000	4500	5000	2520	4665	4350	1245	1695	6/12
	Z370	3700	4000	4500	4800*5000	2620	4865	4550	1345	1795	6/12
	Z400	4000	3900*4000	4300*4500	4600*5000	2820	5165	4850	1495	1945	6/12
Full free 3-stage mast	S370	3700	3900	4400	4800*4900	2005	4880	4550	835	1350	6/6
	S400	4000	3900	4300*4400	4500*4700	2105	5180	4850	935	1450	6/6
	S435	4350	3750*3900	4100*4400	4300*4600	2220	5530	5200	1050	1565	6/6
	S450	4500	3600*3800	3900*4400	4200*4600	2270	5680	5350	1100	1615	6/6
	S480	4800	3250*3650	3800*4300	4000*4500	2370	5980	5650	1200	1715	6/6
	S500	5000	3000*3500	3600*4200	3800*4300	2435	6180	5850	1265	1780	6/6
	S550	5500	2750*3150	2900*3700	3100*3900	2600	6680	6350	1430	1945	3/6
	S600	6000	2200*2900	2400*3200	2600*3400	2870	7180	6850	1700	2215	3/6